



Warp 3

Installation Manual

Version 1.0 Date:2008.07
copyright@2008

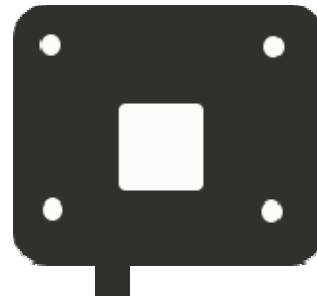
Contents

Product content	2
Cable Pin Out and Connecting diagram	4
Lock connection	5
Precaution	6

Basic Content



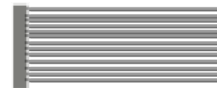
Warp3 / Warp3G Terminal



Wall Plate



Wall Mount Screw and Holder



Cable



Hex-Screw for fixing main body

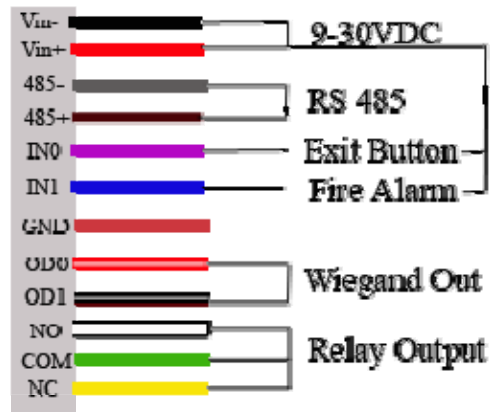


Hex small Wrench

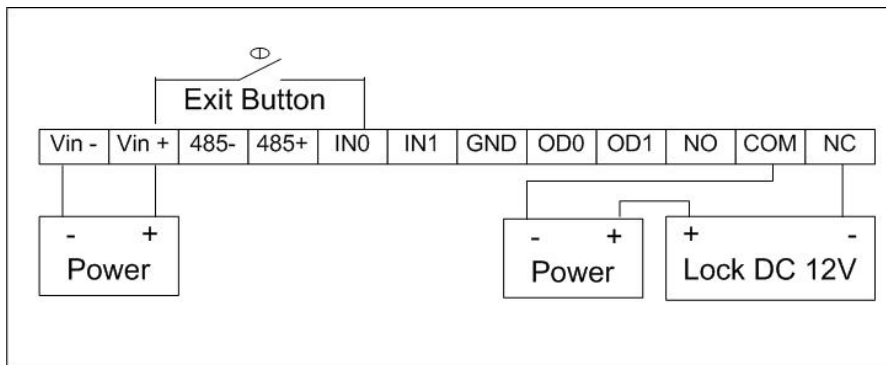


CD contain warpX software

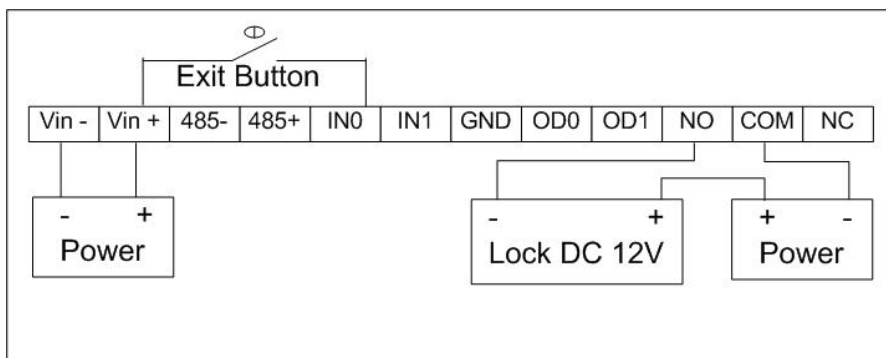
Cable Pin Out and Connecting Diagram



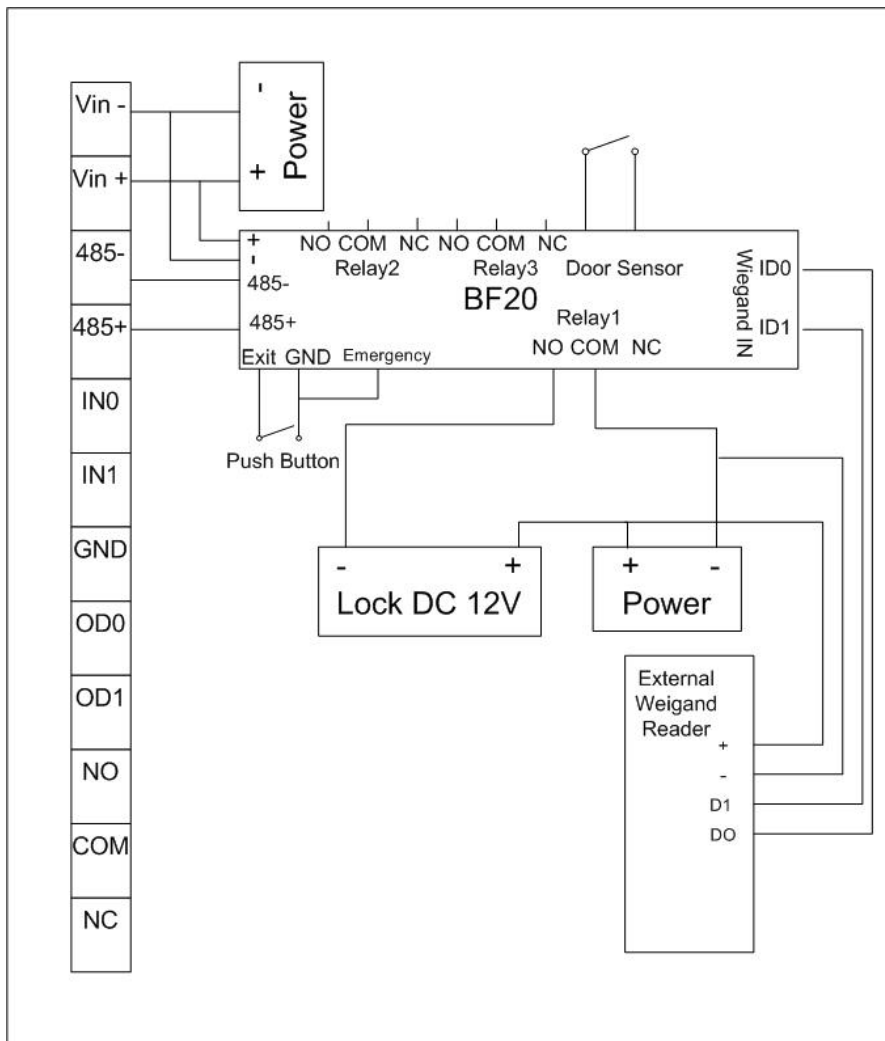
NC Connection



NOConnection



Connect with BF20



Precaution

- The list below is to keep user's safety and prevent any loss. Please read carefully before use.



Do not drop or damage the device.



Do not press two buttons at the same time.



Do not disassemble, repair or alter the device.



Do not let children touch the device without supervision.



Do not use the device for any other purpose than specified.



Contact your nearest dealer in case of a trouble or problem.

BF20 Diagram

BF-20 LED/BUZZER INDICATION

1. Warp3/Warp3G connected ON

LED : ON 1 second, OFF 1 second.

Buzzer : 1 long beep sound once state from OFF to ON

2. Warp3/Warp3G connected OFF

LED : ON 3 second, OFF 1 second.

Buzzer : 5 short beep sound once state from ON to OFF

3. Flash Card

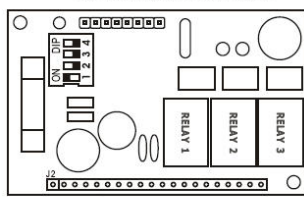
Valid card : Buzzer : 1 short beep

Invalid card : Buzzer : 1 long beep

4. Emergency Mode

Enable : Emergency (PINK) and GND (BLACK) are short exit button will work when the connection between Warp3/Warp3 and BF-20 is off

Disable : Emergency and GND are not short exit button will not work



CONNECTION

POWER+	VIN12V	RED
POWER-	GND	BLACK
WIEGAND (N/A)	D0	RED/WHITE
	D1	BLACK/WHITE
RS-485 CONNECTOR	485-	GREY
	485+	BROWN
EMERGENCY	SET	PINK
DOOR SENSOR CONNECTOR	S1	BLUE
	S2	BLUE
EXIT BUTTON CONNECTOR	B1	VIOLET
	B2	VIOLET
RELAY OUTPUT 1	NO0	WHITE
	COM0	LIGHTGREEN
	NC0	YELLOW
RELAY OUTPUT 2	NO1	WHITE/BLACK
	COM1	GREEN/BLACK
	NC1	YELLOW/BLACK
RELAY OUTPUT 3	NO2	RED/BLACK
	COM2	TURQUOISE
	NC2	ORANGE

