

BioSense FA1

V1.0

INSTALLATION HW 1.0

A. BioSense Package Contents

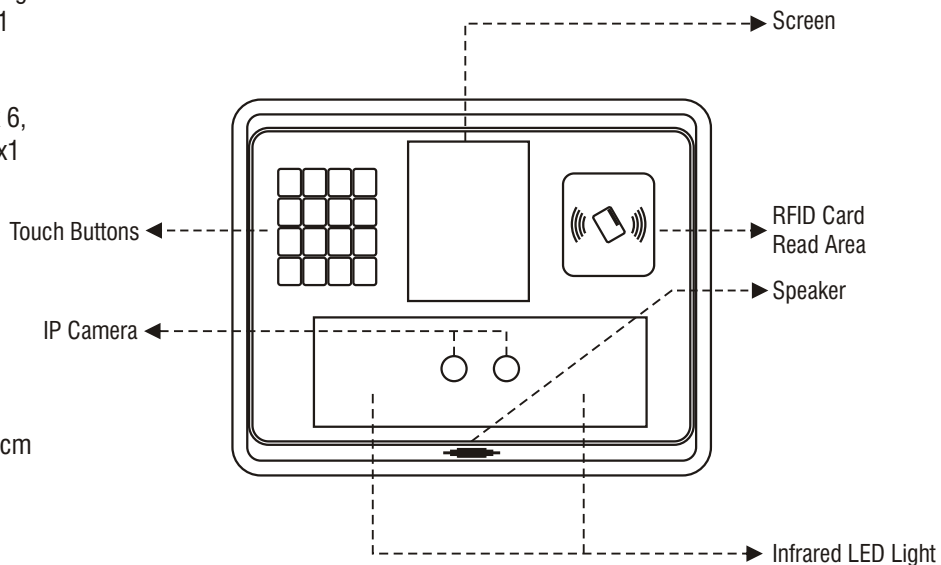
- BioSense FA1 x 1, Wall-hanger x 1, Installation guide x 1
CD x 1, Warranty Card x 1, Accessories kit x 1
Transformer x 1

Accessory kit : Wall plug x 4, Fasten screw x 6,
Host screws x 2, 5-Pin wire x1
6-Pin wire x1, 10-Pin wire x1

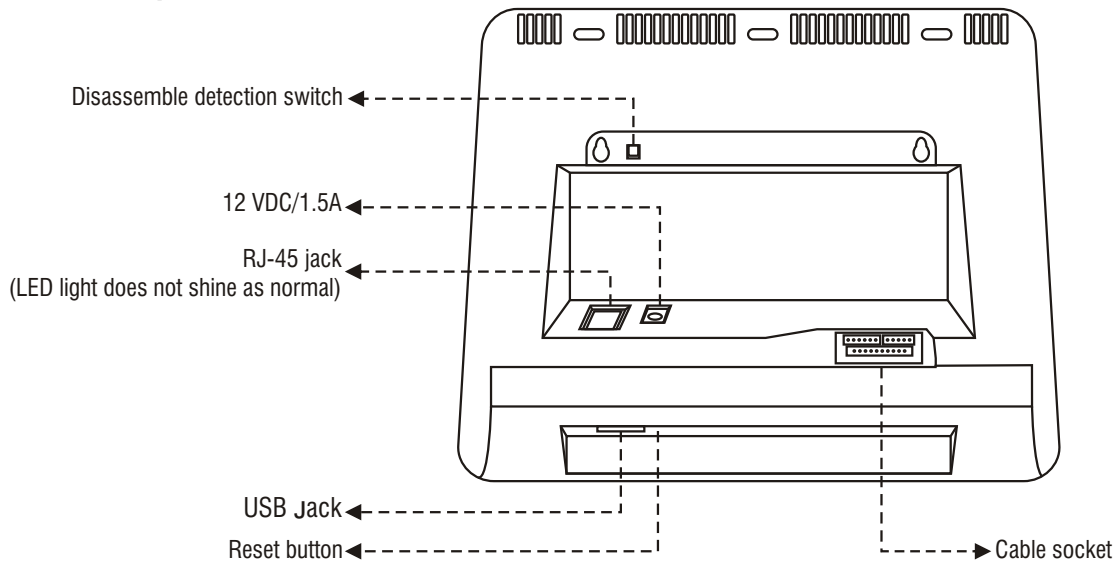
C. Specifications

- Dimension : 213 x 147 x 94(mm)
- Power : 12VDC / 1.5A
- Wiegand communication : Max to 100 meters
- The use of distance : 30 ~ 80cm
- Install Wall : recommend mounting height 120cm

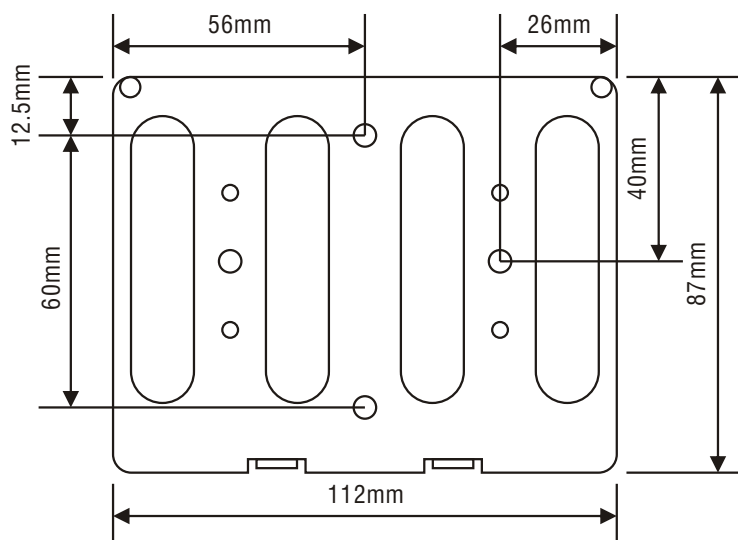
B. Terminal Front Description



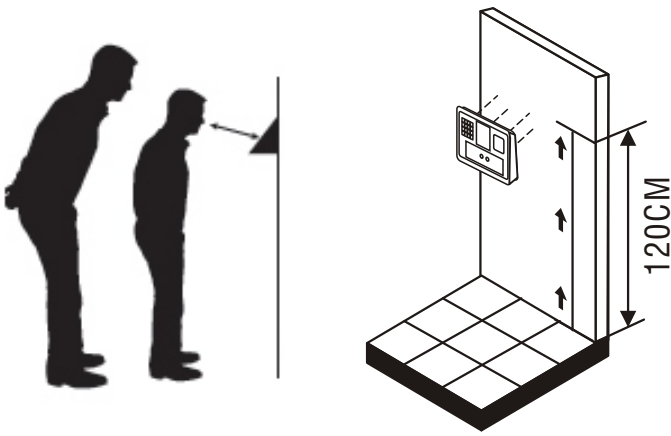
D. Terminal Back Explanation



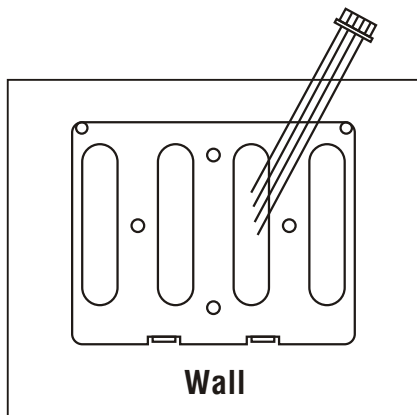
E. Wall-hanger size



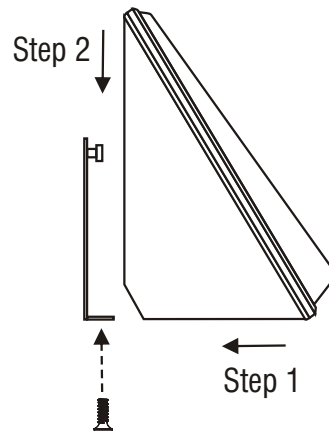
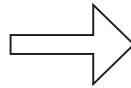
F. Installation



Install device nears to the user space.
Suggest the installation height is for the shorter person.
Higher person can slightly stooped for identification.
(Recommended mounting height 120 CM)

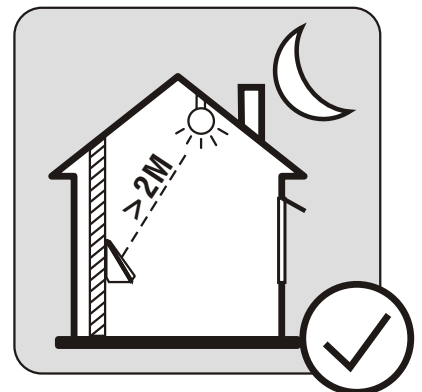
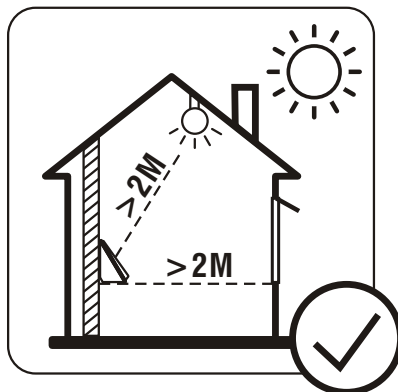
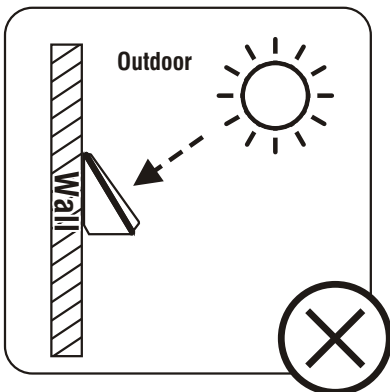


Lock the hanger on the wall,
use cable to connect with terminal



Combine terminal to hanger, side down to
make terminal & hanger fixed well

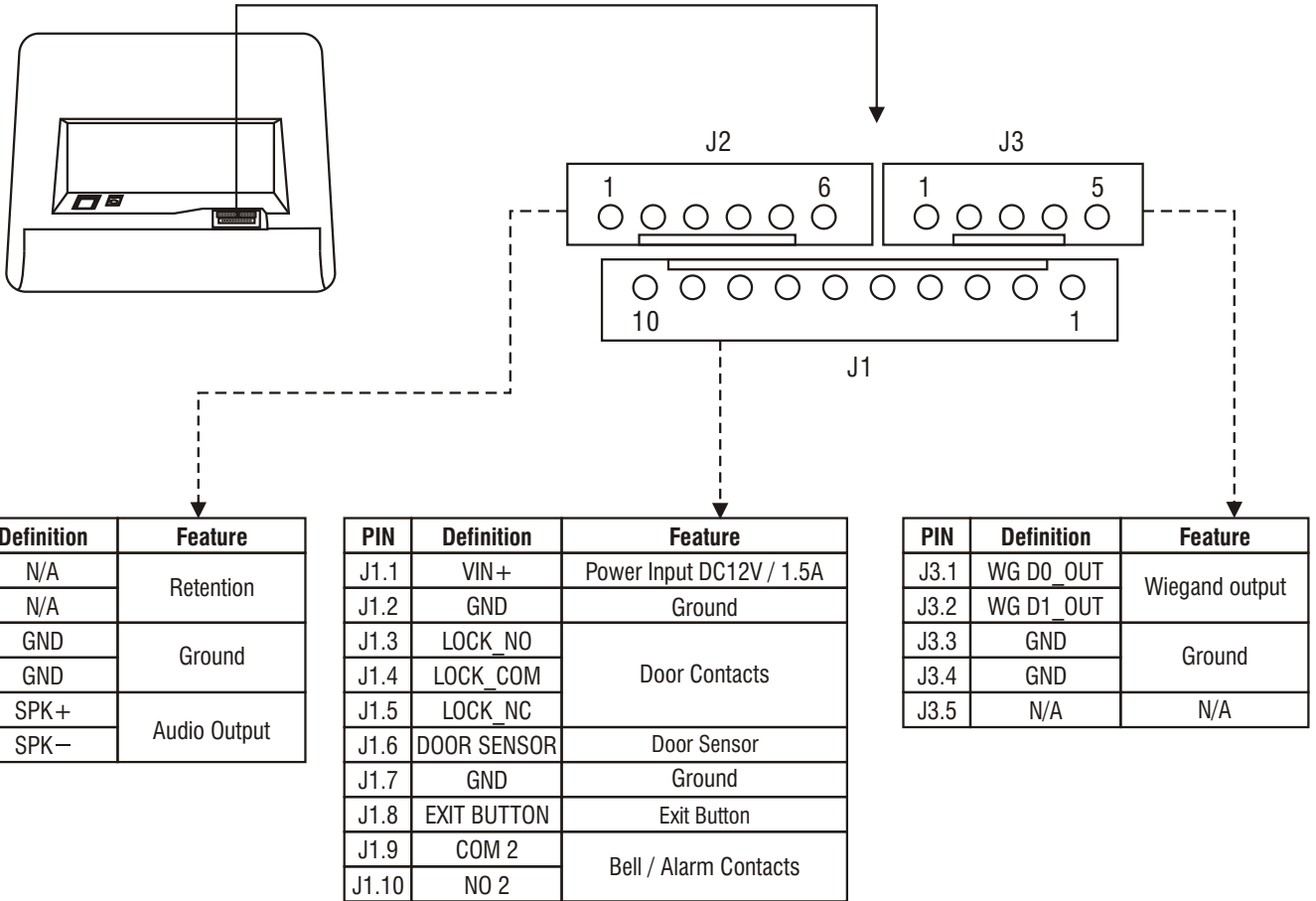
G. installation environment



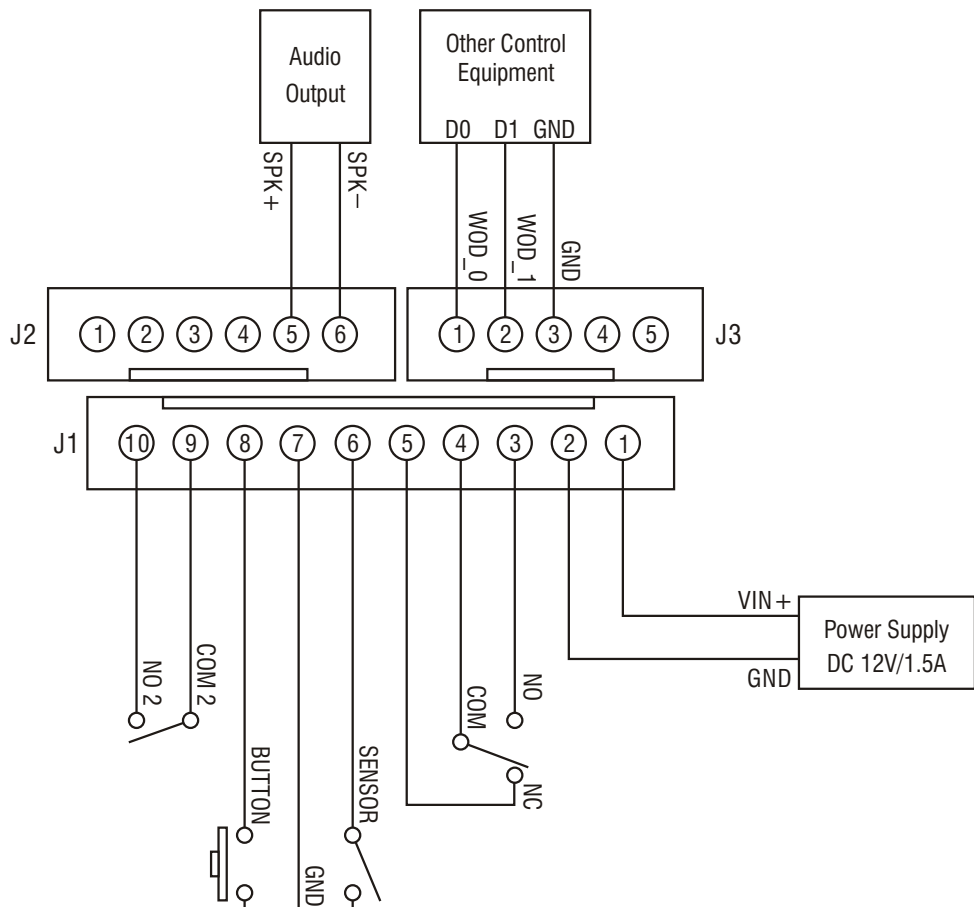
When installing outdoors, direct sunlight equipment / sun shines through the window or direct device equipment, is prohibited

When installing the room, make sure that the place must be installed away from windows / doors / lamp more than 2 meters away equipment

H. Cable Definition Description

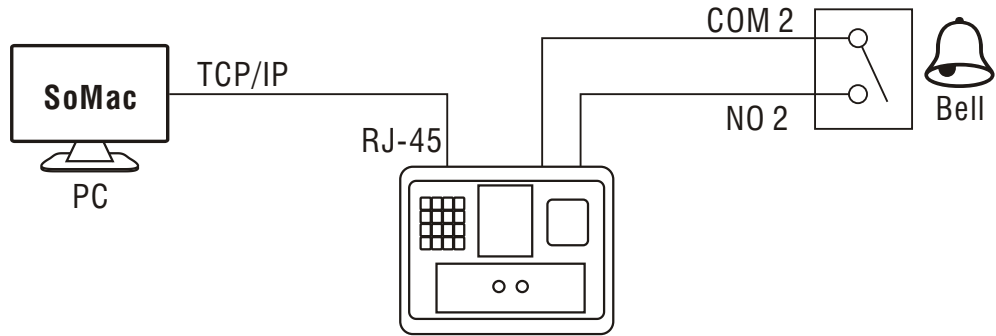


I. Wiring Instructions

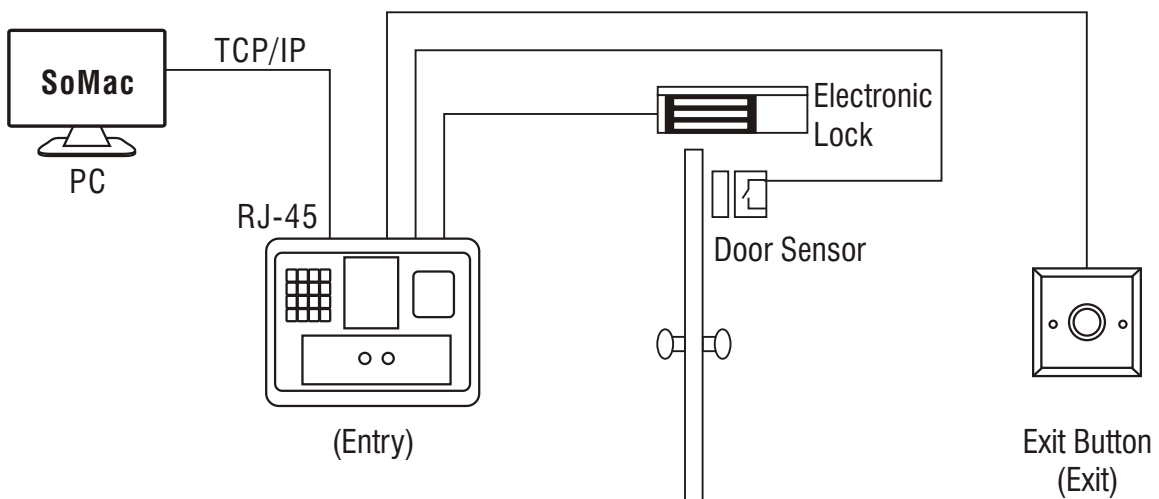


J. Structure

Attendance: Single door + bell control



Access: stand-alone single door (low security)



Access: multi-door controller (safety)

* Max to 4 doors *

