

BioSense FA1

Touch Key Face Recognition Access



- Access Control and Time & Attendance Two in One
- Basic Time & Attendance
- Contactless for ultimate hygiene
- Fast dual-camera face recognition
- LOGs data real time PUSH
- Color screen for face positioning
- Easy installation and operation
- Work well even in darkness

Specifications

GENERAL DATA

Software Application	SoMac
Processor	1 Ghz High Speed Digital Processor
Verification Mode	FACE/ Card
Proximity	EM/ Mifare (Option)
Face User Capacity	2000 (1: N) Face
Card User Capacity	10,000 Card
Total User Capacity	10,000
Record Capacity	200,000 Records
Security Photo	200,000 Images
Sensor	Specialized dual sensor
Lighting	20,000 Lux
Verification	Face, ID + face, card + face, card/face, card + photo
Speed	Less than 1 second
Time Sets/Time Zones/Group	Yes
Holiday Dates	Yes
Access & Event Logs	Yes
Built-in relay	Contact Door Lock, Door Sensor and Exit button Input
Scan Distance	30cm - 80cm

COMMUNICATION DATA

Communication Method	TCP/IP, USB Host, Weigand Output, Push to Server
Communication Environment	LAN/WAN
Ethernet Interface	10/100M Base-T, Auto Crossover

INDICATION DATA & USER INTERFACE

Audible Speaker	Voice
Buzzer	Single Tone
TFT Color LCD	3.5 inches
Capacitive Touch Keys	4 x 4
Anti-Tampering Switch	Yes

ELECTRICAL DATA & CONDITIONS

Operation Voltage	12V DC/ 1.5A
Operation Temperature	0°C - 40°C
Operation Humidity	20% - 80%RH

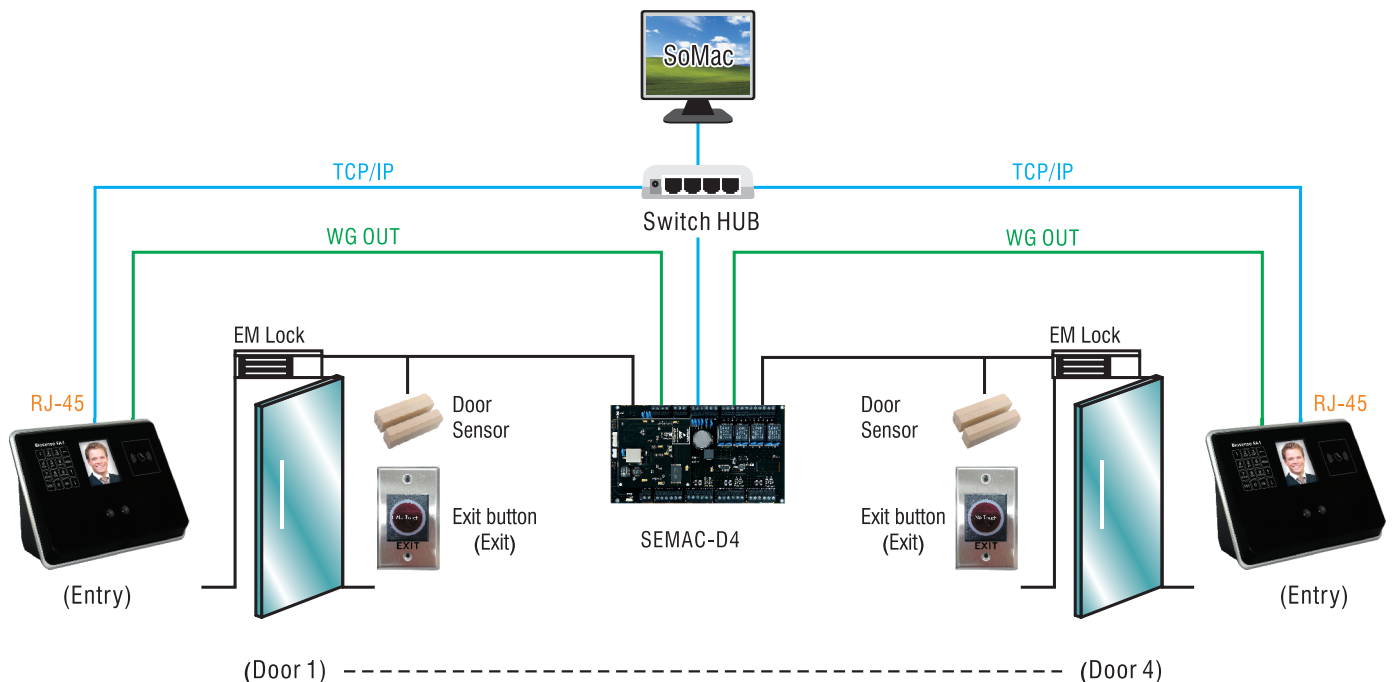
PHYSICAL DATA

Dimensions	213 x 147 x 94 mm
Weight	550 g

INTERNATIONAL STANDARDS & WARRANTY

CE, FCC, ROHS	
Warranty	1 Year

Structure



Ordering information

E: EM 125KHz M: Mifare 13.56MHz